

 A330 <small>SIMULATOR</small> FLIGHT CREW OPERATING MANUAL	AIRCRAFT GENERAL	1.20.00	P 1
	CONTENTS	SEQ 001	REV 04

20.00 CONTENTS

20.10 INTRODUCTION

20.20 GENERAL ARRANGEMENT

- GENERAL ARRANGEMENT 1
- PRINCIPAL DIMENSIONS 1
- UNPRESSURIZED COMPARTMENTS 2
- ANTENNAS LOCATION 2
- GROUND MANEUVERING 3
- GROUND SERVICE CONNECTIONS AND PANELS 4

R

**GENERAL**

The A330 is a subsonic medium to long range civil transport aircraft.

ENGINES

The aircraft has two high by-pass turbofan engines mounted under the wings.

COCKPIT

The cockpit is arranged for a two member-crew. It also has a place for two observers.

CABIN

The layout for passenger seating may be varied to suit operating requirements. The certificated maximum is 375 seats.

CARGO

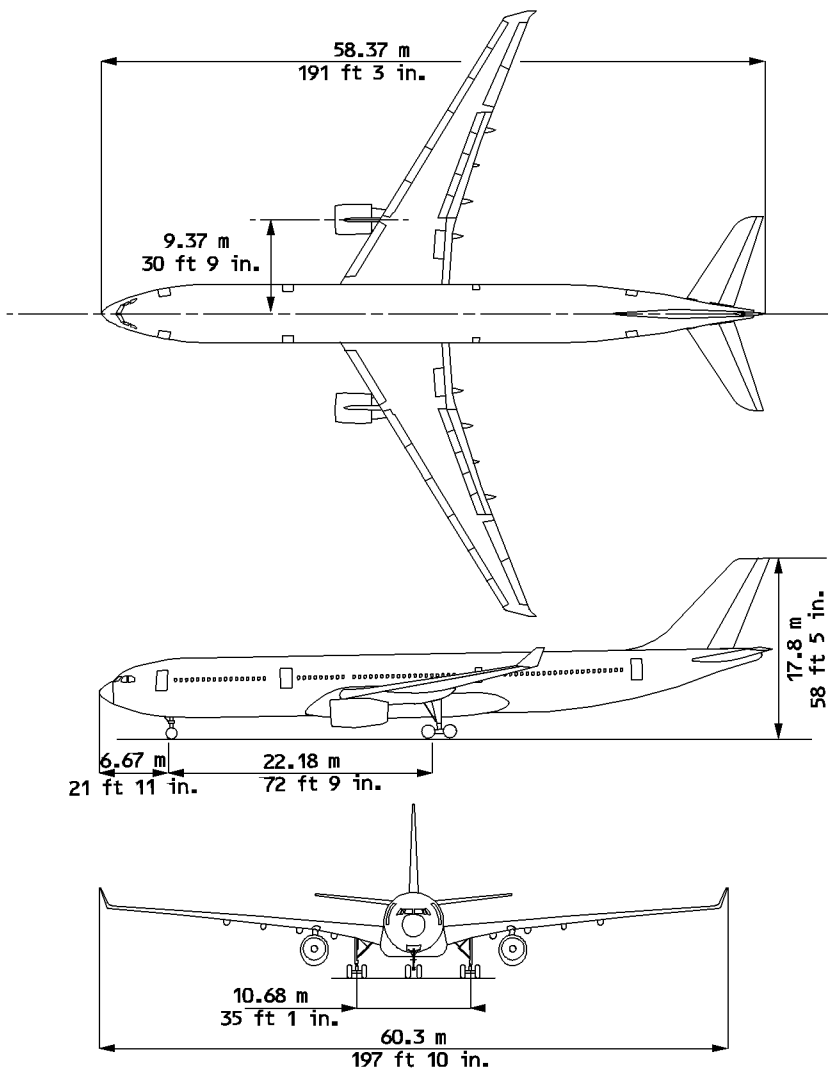
Three cargo compartments are under the cabin floor.



GENERAL ARRANGEMENT

This subchapter gives the principal dimensions of the aircraft, the location of unpressurized areas, antennas, ground service connections and the ground maneuvering characteristics.

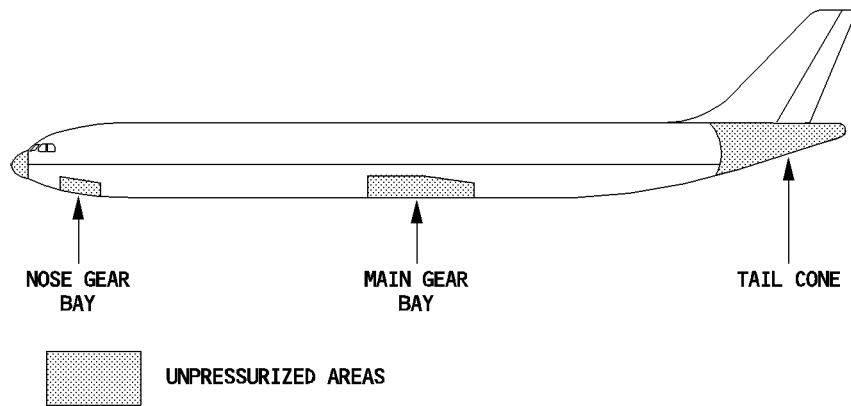
PRINCIPAL DIMENSIONS



6FCS-01-2020-001-A100AA

UNPRESSURIZED COMPARTMENTS

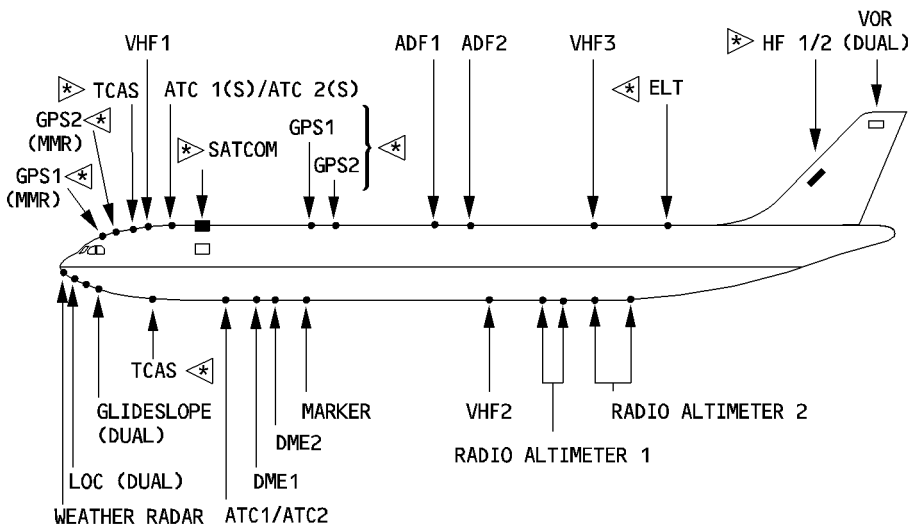
GFC5-01-2020-002-A001AA



ANTENNAS LOCATION

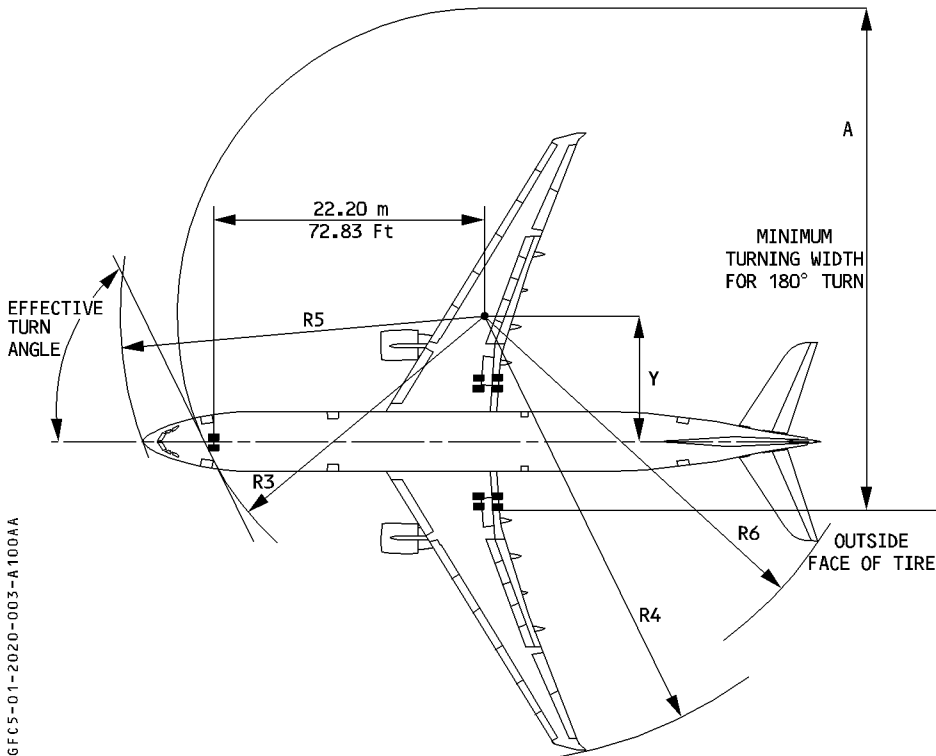
R

GFC5-01-2020-002-B001AA



GROUND MANEUVERING

MINIMUM TURNING RADII

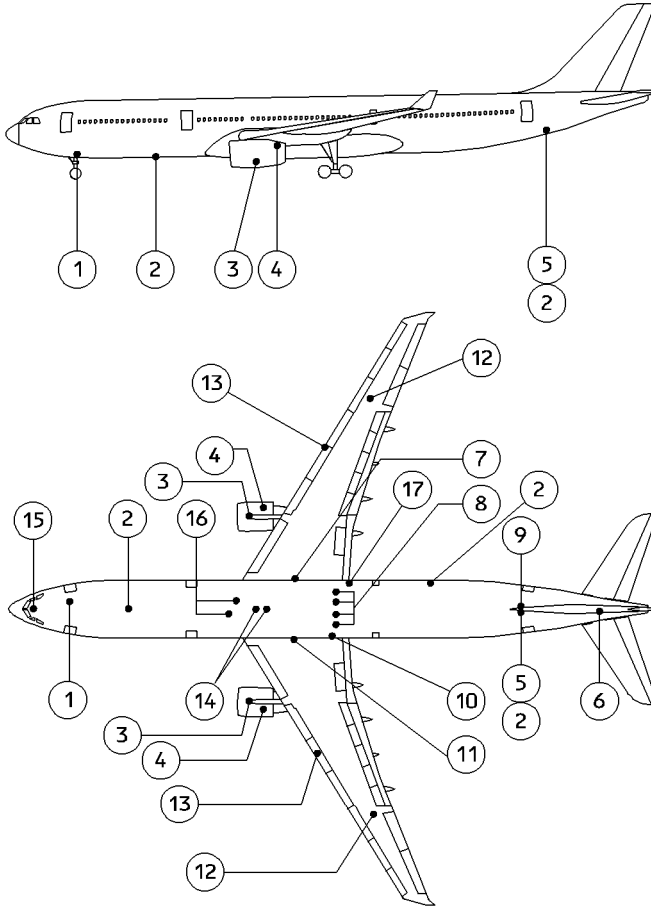


6FC5-01-2020-003-A100AA

NWS limit angle	Y	A	R3	R4	R5	R6
60°	15 m 50 ft	49 m 160 ft	28 m 90 ft	47 m 152 ft	33 m 106 ft	39 m 125 ft

The above figures assume symmetric thrust and no differential braking.

GROUND SERVICE CONNECTIONS AND PANELS



GFC5-01-2020-004-A100AA

- ① External ground power panel receptacle
- ② Remote water drain
- ③ IDG oil filling



- ④ Engine oil filling
- ⑤ Potable water filling
- ⑥ APU oil filling
- ⑦ Hydraulic ground power (yellow)
- R ⑧ Air charging for hydraulic accumulators
- ⑨ Toilet servicing
- ⑩ Hydraulic reservoir filling and ground power (green)
- ⑪ Hydraulic reservoir pressurization and ground power (blue)
- ⑫ Fuel gravity filling
- ⑬ Refueling/defueling
- ⑭ HP ground air supply connectors
- ⑮ Oxygen system
- ⑯ LP ground air supply connectors
- R ⑰ Refuel/Defuel control panel